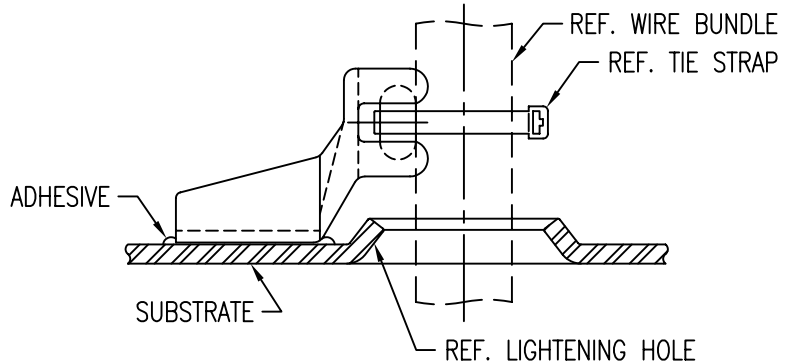
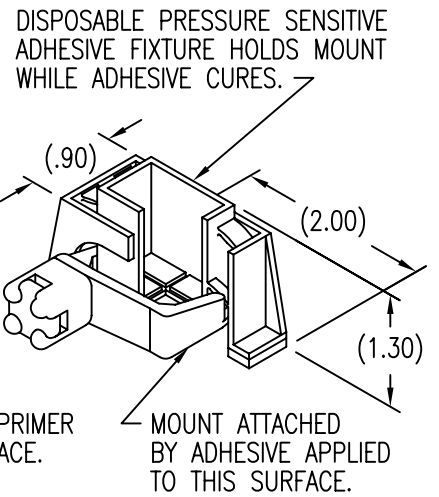
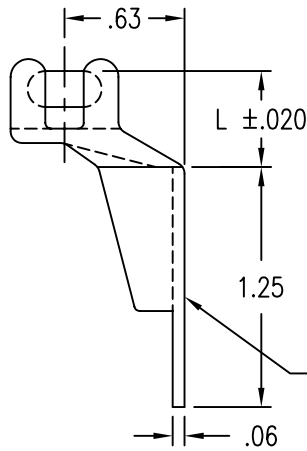


OPTIONAL TRIMMED BASE PART, -750 SUFFIX



MATERIAL AND FINISH DATA

CODE	MATERIAL	FINISH
V	40% GLASS/PEI	ABRASIVE CLEAN
U	30% GLASS/PEI	ABRASIVE CLEAN
K	GLASS/PEEK	ABRASIVE CLEAN

OPTIONAL BASEPLATE PRIMER

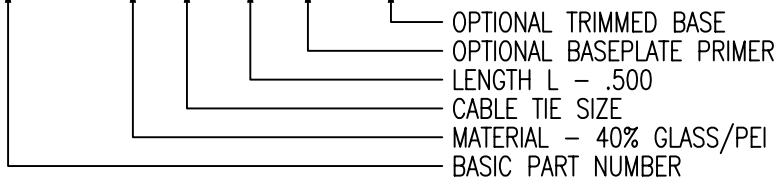
CODE	MATERIAL SPEC.
P	MIL-PRF-85582

LENGTH DATA

CODE	8	16	24
L	.500	1.000	1.500

EXAMPLE PART NUMBER

CB4062 V 3-8 P 750



UNLESS OTHERWISE SPECIFIED, ALL DIMENSIONS ARE IN INCHES AND TOLERANCES ARE AS SHOWN BELOW. DIMENSIONAL TOLERANCES AND SYMBOLS PER ANSI Y14.5M-1982.

PROPRIETARY PARTS SHOWN IN THIS DRAWING ARE THE SUBJECT OF ISSUED UNITED STATES AND FOREIGN PATENTS AND PATENTS PENDING. UNAUTHORIZED REPRODUCTION AND/OR DISTRIBUTION OF THIS DRAWING IS SPECIFICALLY PROHIBITED.

GLICK BOND

CARSON CITY
NEVADA 89706

APPROVALS	DATE
DRAWN CGH	3DEC05
CHECKED <i>CGH</i>	5DEC05
RELEASED CGH	5DEC05
REVISED CGH	5DEC05

TITLE			
MOUNT, CABLE TIE, RIGHT ANGLE, TWO WAY			
SIZE	CAGE CODE	DWG. NO.	REV.
A	66530	CB4062	3
SCALE	1/1 5DEC05		SHEET 1 OF 1

ANGLES	±1°
.XX	±.03
.XXX	±.010