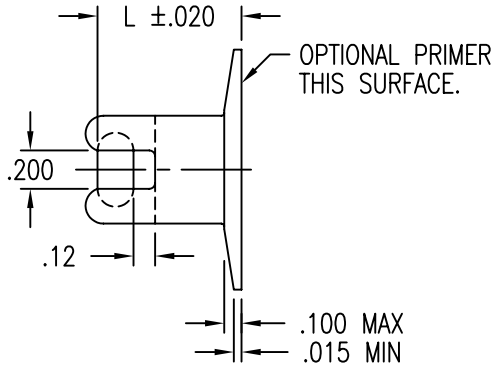
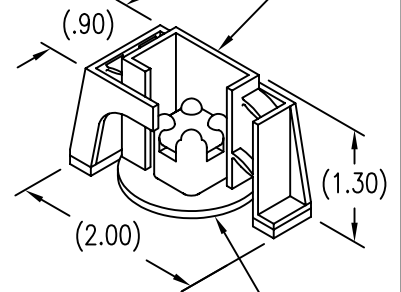


FOR OPTIONAL TRIMMED
BASE ADD 750 SUFFIX
TO PART NUMBER.



DISPOSABLE PRESSURE SENSITIVE
ADHESIVE FIXTURE HOLDS MOUNT
WHILE ADHESIVE CURES.



MOUNT ATTACHED
BY ADHESIVE APPLIED
TO THIS SURFACE.

MATERIAL AND FINISH DATA

CODE	MATERIAL	FINISH
V	40% GLASS/PEI	ABRASIVE CLEAN
U	30% GLASS/PEI	ABRASIVE CLEAN
K	GLASS/PEEK	ABRASIVE CLEAN

LENGTH L DATA (LENGTH L IN SIXTEENTHS OF AN INCH)

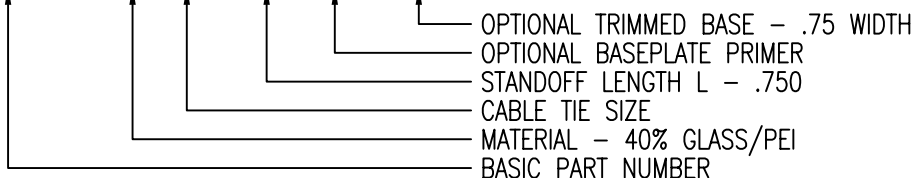
CODE	8	12	16	20	24
L	.500	.750	1.000	1.250	1.500

OPTIONAL BASEPLATE PRIMER

CODE	MATERIAL SPEC.
P	MIL-PRF-85582

EXAMPLE PART NUMBER

CB4064 V 3-12 P 750



UNLESS OTHERWISE SPECIFIED, ALL DIMENSIONS ARE
IN INCHES AND TOLERANCES ARE AS SHOWN BELOW.
DIMENSIONAL TOLERANCES AND SYMBOLS PER ANSI
Y14.5M-1982.

PROPRIETARY PARTS SHOWN IN THIS DRAWING ARE THE SUBJECT
OF ISSUED UNITED STATES AND FOREIGN PATENTS AND PATENTS
PENDING.
UNAUTHORIZED REPRODUCTION AND/OR DISTRIBUTION OF THIS
DRAWING IS SPECIFICALLY PROHIBITED.

GLICK BOND

CARSON CITY
NEVADA 89706

APPROVALS		DATE	TITLE			
ANGLES	±1°	DRAWN CGH	MOUNT, CABLE TIE, STANDOFF, TWO WAY			
.XX	±.03	CHECKED <i>CGH</i>	SIZE	CAGE CODE	DWG. NO.	REV.
.XXX	±.010	RELEASED CGH	A	66530	CB4064	1
.XXXX	±.001	REVISED CGH	SCALE	5DEC05		SHEET 1 OF 1