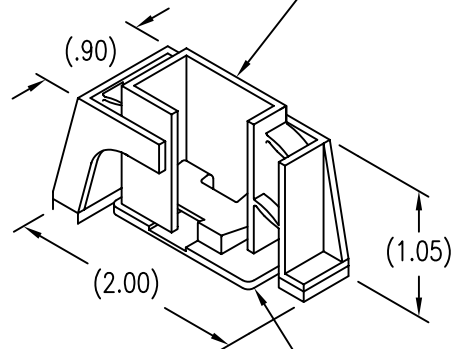
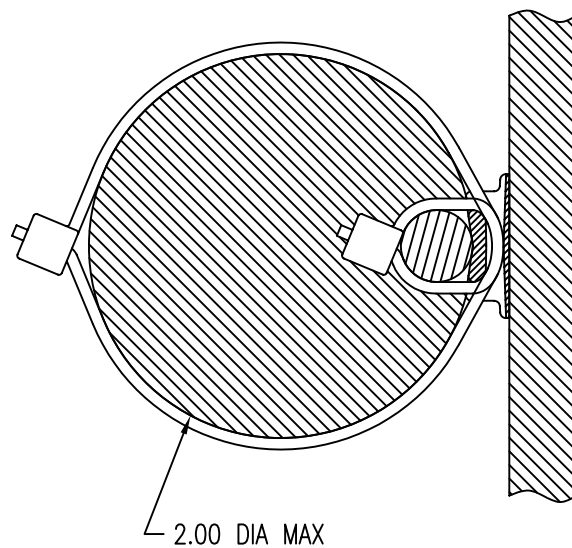
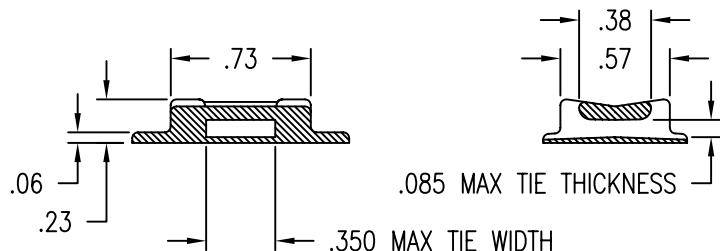


DISPOSABLE PRESSURE SENSITIVE ADHESIVE FIXTURE HOLDS MOUNT WHILE ADHESIVE CURES.



MOUNT ATTACHED BY ADHESIVE APPLIED TO THIS SURFACE.



TYPICAL WIRE BUNDLE MOUNTING FOR USE WITH MS3367-1, -2, -3, -4, -5, -6, AND -7 CABLE TIE STRAPS.

MATERIAL DATA

CODE	MATERIAL	FINISH
V	GLASS/THERMOPLASTIC, 350°F	ABRASIVE CLEAN

PART WEIGHT: .45 LBS/100

EXAMPLE PART NUMBER

CB9120 V 5

REFERENCE SIZE  
MATERIAL - GLASS/THERMOPLASTIC, 350°F  
BASIC PART NUMBER

UNLESS OTHERWISE SPECIFIED, ALL DIMENSIONS ARE IN INCHES AND TOLERANCES ARE AS SHOWN BELOW. DIMENSIONAL TOLERANCES AND SYMBOLS PER ANSI Y14.5M-1982.

PROPRIETARY PARTS SHOWN IN THIS DRAWING ARE THE SUBJECT OF ISSUED UNITED STATES AND FOREIGN PATENTS AND PATENTS PENDING. UNAUTHORIZED REPRODUCTION AND/OR DISTRIBUTION OF THIS DRAWING IS SPECIFICALLY PROHIBITED.

**GLICK BOND**

CARSON CITY  
NEVADA 89706

CAD CB9120-1

APPROVALS DATE

TITLE  
MOUNT, CABLE TIE ANCHOR

ANGLES ±1°

DRAWN BSP 17JAN01

SIZE CAGE CODE DWG. NO. REV.  
A 66530 CB9120 5

.XX ±.03

CHECKED DAC 17JAN01

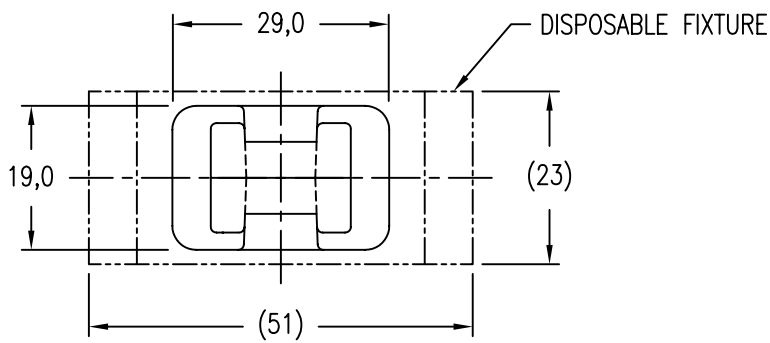
.XXX ±.010

RELEASED CGH 19JAN01

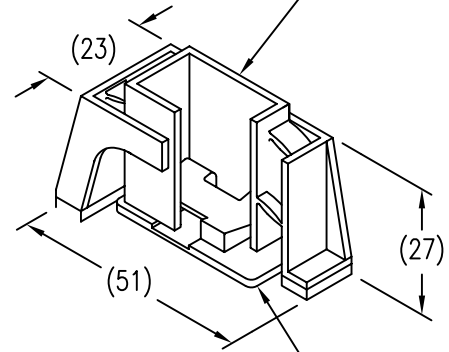
.XXXX ±.001

REVISED BSP 17JAN01

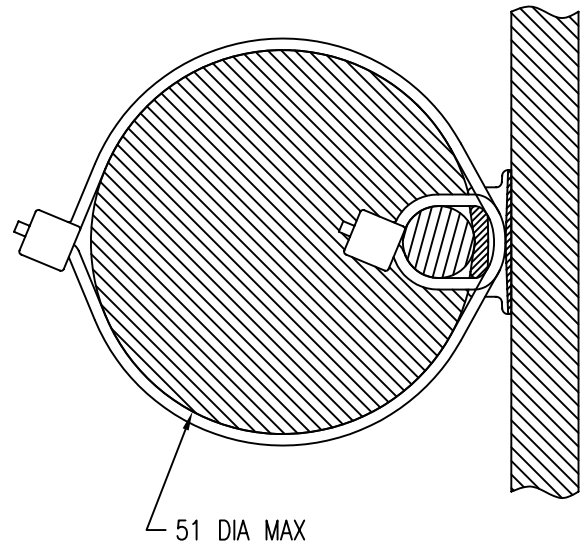
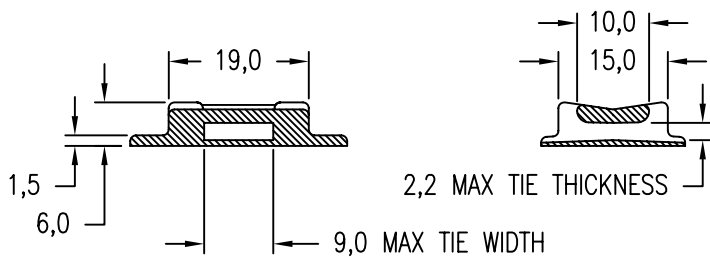
SCALE 1/1 17JAN01 SHEET 1 OF 2



DISPOSABLE PRESSURE SENSITIVE ADHESIVE FIXTURE HOLDS MOUNT WHILE ADHESIVE CURES.



MOUNT ATTACHED BY ADHESIVE APPLIED TO THIS SURFACE.



TYPICAL WIRE BUNDLE MOUNTING FOR USE WITH MS3367-1, -2, -3, -4, -5, -6, AND -7 CABLE TIE STRAPS.

MATERIAL DATA

CODE	MATERIAL	FINISH
V	GLASS/THERMOPLASTIC, 177°C	ABRASIVE CLEAN

PART WEIGHT: 2,1 GRAMS

EXAMPLE PART NUMBER

CB9120 V 5

↑ REFERENCE SIZE  
 ↑ MATERIAL - GLASS/THERMOPLASTIC, 177°C  
 ↑ BASIC PART NUMBER

UNLESS OTHERWISE SPECIFIED, ALL DIMENSIONS ARE IN MILLIMETERS AND TOLERANCES ARE AS SHOWN BELOW. DIMENSIONAL TOLERANCES AND SYMBOLS PER ANSI Y14.5M-1982.

PROPRIETARY PARTS SHOWN IN THIS DRAWING ARE THE SUBJECT OF ISSUED UNITED STATES AND FOREIGN PATENTS AND PATENTS PENDING. UNAUTHORIZED REPRODUCTION AND/OR DISTRIBUTION OF THIS DRAWING IS SPECIFICALLY PROHIBITED.

**GLICK BOND**

CARSON CITY  
NEVADA 89706

CAD CB9120-2  
METRIC DIMENSIONS

APPROVALS	DATE
DRAWN BSP	19JAN01
CHECKED DAC	19JAN01
RELEASED CGH	19JAN01
REVISED BSP	19JAN01

TITLE			
MOUNT, CABLE TIE ANCHOR			
SIZE	CAGE CODE	DWG. NO.	REV.
A	66530	CB9120 (METRIC)	5
SCALE	1/1		19JAN01
			SHEET 2 OF 2

ANGLES	±1°
.X	±0,8
.XX	±0,25